

Bradford Solar Panel 270 Watts Polycrystalline



Bradford Solar Empower your home

The high quality and reliability of Bradford Solar's modules is ensured by 15 years of experience in module manufacturing, well-engineered module design, stringent BOM quality testing, an automated manufacturing process and 100% EL testing.

- ✓ Adaptable for different installation types commercial, residential and utility-scale solar projects worldwide
- ✓ High performance and energy yield - outstanding low irradiance performance of up to 96.0%
- ✓ Suitable for use in various harsh environments by blocking moisture permeability
- ✓ Strict quality control, mechanical, chemical, Photovoltaic reliability testing to meet ISO/IEC 17025 standards ensuring performance and reliability.



Excellent module efficiency
up to 16.79 %



Outstanding low irradiance performance
up to 96.5 %



High PTC rating of up to 92.0 %



IP67 junction box for long-term
weather endurance



Heavy snow load up to 5400 Pa
Wind load up to 2400 Pa

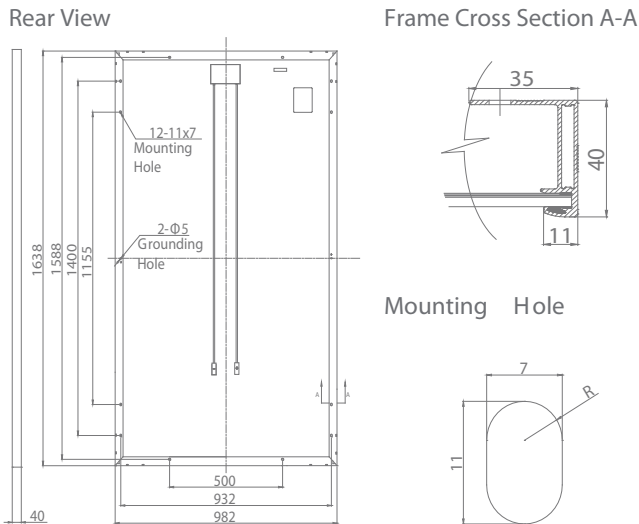
POWER: 260 - 285 W

SIZE: 992 x 1650 x 40mm

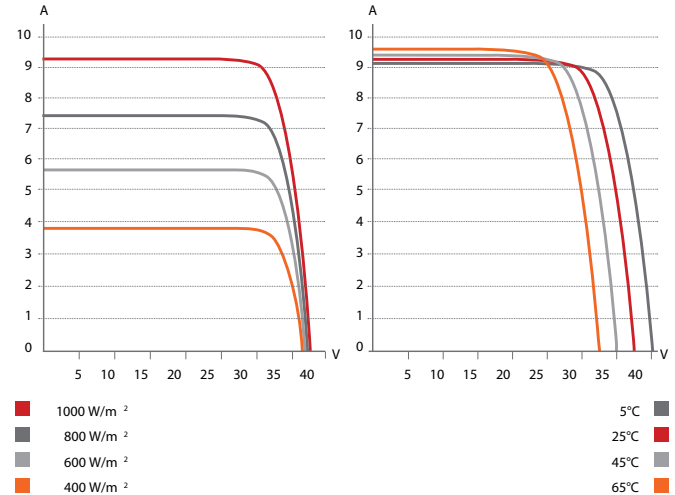
WEIGHT 18.2kg

Technical Specifications

Engineering Drawings (mm)



CS6P-265P / I-V Curves



Electrical Data | STC*

CS6P	270P
Nominal Max. Power (Pmax)	270 W
Opt. Operating Voltage (Vmp)	30.8 V
Opt. Operating Current (Imp)	8.75 A
Open Circuit Voltage (Voc)	37.9 V
Short Circuit Current (Isc)	9.32 A
Module Efficiency 16.16% 16.47%	16.79%
Operating Temperature	-40°C ~ +85°C
Max. System Voltage	1000 V (IEC) or 1000 V (UL)
Module Fire Performance	TYPE 1 (UL 1703) or CLASS C (IEC 61730)
Max. Series Fuse Rating	15 A
Application Classification	Class A
Power Tolerance	0 ~ + 5 W

Electrical Data | NOCT*

CS6P	270P
Nominal Max. Power (Pmax)	196 W
Opt. Operating Voltage (Vmp)	28.1 V
Opt. Operating Current (Imp)	6.97 A
Open Circuit Voltage (Voc)	34.8 V
Short Circuit Current (Isc)	7.55 A

Performance at Low Irradiance

Outstanding performance at low irradiance, with an average relative efficiency of 96.5 % from irradiances, between 1000 W/m² and 200 W/m² (AM 1.5, 25°C).

Mechanical Data

Specification	Data
Cell Type	Poly-crystalline, 6 inch
Cell Arrangement	60 (6 x 10)
Dimensions	1638x982x40 mm (64.5x 38.7x 1.57 in)
Weight	18 kg (39.7 lbs)
Front Cover	3.2 mm tempered glass
Frame Material	Anodized aluminium alloy
J-Box	IP67, 3 diodes
Cable	4 mm ² (IEC) or 4 mm ² & 12 AWG 1000 V (UL) , 1000 mm (39.4 in) (650 mm (25.6 in) is optional)
Connectors	MC KST4/X and KBT4/X
Per Pallet	26 pieces, 515 kg (1135.4 lbs)
Per Container	(40' HQ) 728 pieces

Temperature Characteristics

Specification	Data
Temperature Coefficient (Pmax)	-0.41% / °C
Temperature Coefficient (Voc)	-0.31% / °C
Temperature Coefficient (Isc)	0.053% / °C
Nominal Operating Cell Temperature	45±2 °C

The specification and key features described in this datasheet may deviate slightly and are not guaranteed. Due to on-going innovation, research and product enhancement, ers (energy rating systems) reserves the right to make any adjustment to the information described herein at any time without notice. Please always obtain the most recent version of the datasheet which shall be duly incorporated into the binding contract made by the parties governing all transactions related to the purchase and sale of the products described herein. Caution: For professional use only. The installation and handling of PV modules requires professional skills and should only be performed by qualified professionals. Please read the safety and installation instructions before using the modules. © Copyright ers (energy rating systems) – June '17 - v2