



THE NEXT EVOLUTION
HOT WATER SYSTEMS

EVO270
HOT WATER HEAT PUMP

PRODUCT  REVIEW **2019 AWARDS WINNER**
.COM.AU

ENERGYHUB



EVO270

DOMESTIC & COMMERCIAL WATER HEATING SYSTEM

60°C HOT WATER

270L



PRODUCT REVIEW .COM.AU

2019 AWARDS WINNER



Hot water recovery	75L/hr
Operating temperature range	-7°C to 43°C
Applications	Domestic & commercial water heating
Typical uses	Residential homes, hotels and resorts

OUT WITH THE OLD AND IN WITH THE NEW...

Conventional water heaters can account for up to 35% of your total household energy bill, and contribute significantly to your homes' carbon footprint. When the time comes to replace your water heater, it makes sense to upgrade to a more efficient and environmentally friendly solution to provide your home or business with fast reliable hot water.

Like most other appliances, an increased focus on energy efficiency over the past over the past 20 years has led to significant advancements in hot water systems. So don't just replace it with what you've always had – **REPLACE IT WITH SOMETHING BETTER!**



THE EVO270

The Evo270 is the next evolution in water heating, with advanced energy efficiency technologies and built in smart features to ensure you're provided with clean, safe, and economical hot water all year round.

Unlike traditional water heaters that use 1kW of energy to produce 1kW of heat, the Evo270 utilises that very same 1kW of energy and heat pump technology to generate 4kW of heat – saving you up to 75% of your hot water costs!

ADVANCED WATER HEATING TECHNOLOGIES...

SLEEK DESIGN, SIMPLE TO INSTALL

The Evo270 is a stylish compact all in one system, measuring just 640mm in diameter. There are no roof panels, no additional components to assemble on site, and no extra parts or pipes required. This results in a simple and cost-effective upgrade when installed to the same location as your existing water heater.

ENERGYHUB

71 Port Road
Thebarton

8272 9899

Google.. energy-hub
Energy-Hub.com.au

Installed & Serviced by

SHARPE
SALES > TRADES > SERVICES

Solar

Airworks

Plumbing

Electrical

IDEAL FOR ANY HOUSEHOLD & COMMERCIAL APPLICATIONS

Compact in size, yet powerful enough to supply hot water for up to six people in a domestic application, and is equally at home for use in many commercial applications such as in resorts, hotels and motels, restaurants and retail outlets.

HYDRO POWER BOOSTER

Get more for your money from your hot water system. The Evo270 can produce up to 105 litres of hot water per hour with our Hydro Power Boost function. This means a never-ending stream of up to 60°C hot water - even when it's below freezing outside.

GENUS CONTROL & BUILT-IN TIMER

Take control of your hot water with our intelligent touch pad and built-in timer. Govern when and for how long your system operates to make the most of off-peak energy tariffs or your own created energy via your PV Solar Power System.

VACATION MODE

Further increase the efficiency of your system by eliminating unnecessary heating whilst you are away, and program it to re-activate before you arrive home to ensure there is hot water on tap, the moment you walk in the door!

SAFE TO USE

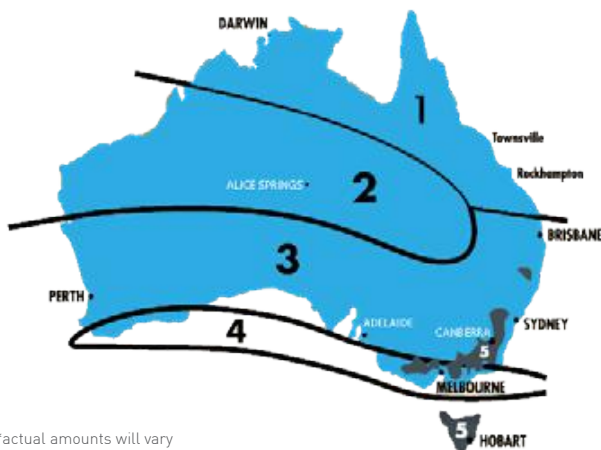
The Evo270 has several market leading technologies that you won't find on a conventional water heater...

- Our external heat exchanger ensures there's no chance of refrigerant leaking into the storage tank keeping you and your family safe from any contaminants;
- Sanitech keeps it free of nasties like Legionella; and,
- Intelligent defrost mode automatically eliminates frost throughout colder months and climates.

These features are all pre-programmed to keep your system hygienic and running efficiently - without needing any intervention from you!

INSTALL NOW & SAVE

Not only will it save you on electricity - the Evo270 is also registered with the Australian Federal Government Clean Energy Regulator as an energy efficient water heater. Once installed, you could also be eligible to receive up to \$1,000* towards the costs of your system!



*actual amounts will vary

Climate Zone	Certificates (STCS)
ZONE 1	23 STCS
ZONE 2	22 STCS
ZONE 3	27 STCS
ZONE 4	28 STCS
ZONE 5	28 STCS

ENERGYHUB 71 Port Road
Thebarton

8272 9899

Google..
Energy-Hub.com.au

Installed & Serviced by

SHARPE
SALES > TRADES > SERVICES

Solar

Airworks

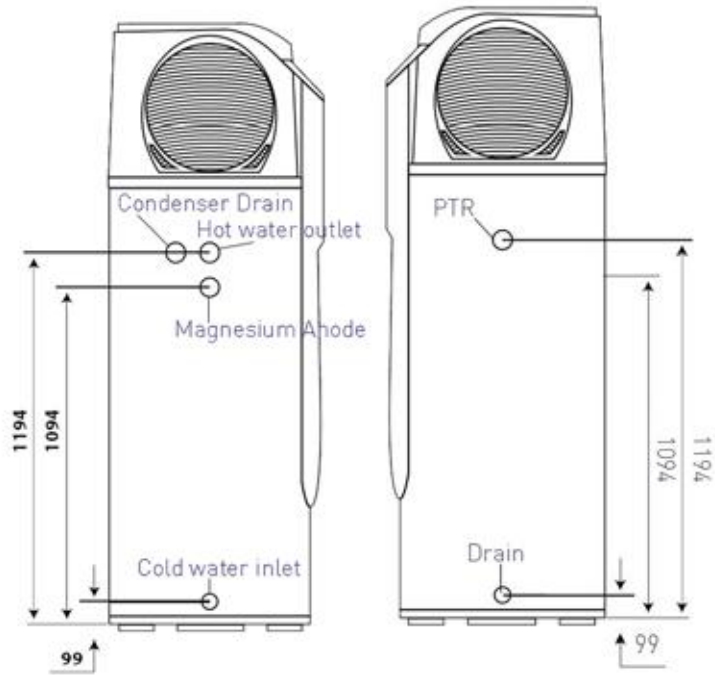
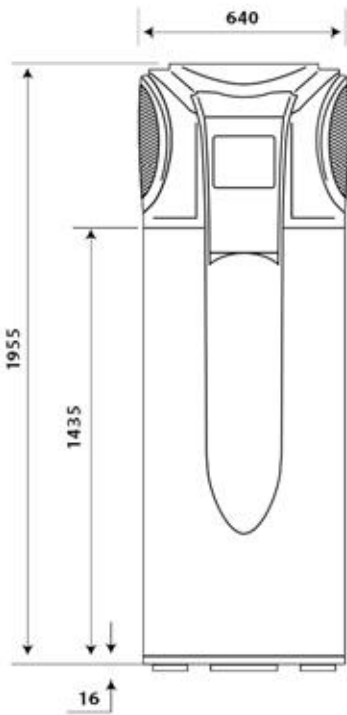
Plumbing

Electrical



Evo270 Hot Water Heat Pump Specifications

Storage Capacity	270L
Max Temperature Setting	70°C
Power Input	0.94kW
Heating Output	3.4kW
Noise Rating	48dB (A)
Running Current	3.92A
Power Supply	240V/1/50Hz
Air Volume	450m ³ /h
Water Inlet/Outlet Size	20mm (3/4")
Auxiliary Heating	1.5kW
Operating Temperature Range	-7°C to 43°C
Net Weight	135kg
Hot Water Recovery	75L/hr
With Hydro Boost	105L/hr



Your authorised EvoHeat agent:

ENERGYHUB

71 Port Road Thebarton

 **8272 9899**

Energy-Hub.com.au



EvoHeat Hot Water Pty Ltd

Phone: 1300 859 933

Fax: (07) 3376 2669

Email: sales@evoheat.com.au

www.evoheat.com.au